



US00D501355S

(12) **United States Design Patent**
Graves et al.

(10) **Patent No.:** **US D501,355 S**

(45) **Date of Patent:** **** Feb. 1, 2005**

(54) **TEA KETTLE**

(76) Inventors: **Michael Graves**, 44 Patton Ave.,
Princeton, NJ (US) 08540; **David**
Peschel, 214 Arborlea Ave., Yardley, PA
(US) 19067; **Donald Strum**, 16
Harrison St., Princeton, NJ (US) 08540

(**) Term: **14 Years**

(21) Appl. No.: **29/205,867**

(22) Filed: **May 21, 2004**

(51) **LOC (7) Cl.** **07-01**

(52) **U.S. Cl.** **D7/322; D7/321**

(58) **Field of Search** D7/413, 316, 317,
D7/318, 319, 312, 321, 320, 322, 598,
600; D9/523; 366/129; 220/504, 230; 215/398;
222/566, 189, 465.1, 144.5; 229/123

(56) **References Cited**

U.S. PATENT DOCUMENTS

D56,555 S * 11/1920 Farr D7/320
D90,173 S * 6/1933 Willman D7/320
D99,425 S * 4/1936 Zettler D7/320
D265,621 S * 8/1982 Urich D7/321

D279,756 S * 7/1985 Lax D7/320
D373,500 S * 9/1996 Lee D7/320
D380,930 S * 7/1997 Wheeler D7/322
D428,758 S * 8/2000 Santiago et al. D7/322
D432,851 S * 10/2000 Hoff et al. D7/320
D454,026 S * 3/2002 Bodum D7/321
D477,494 S * 7/2003 Pena Angarita D7/321

* cited by examiner

Primary Examiner—M. N. Pandozzi

(74) *Attorney, Agent, or Firm*—Duane Morris LLP

(57) **CLAIM**

The ornamental design for a tea kettle, as shown and described.

DESCRIPTION

FIG. 1 is a perspective view of the tea kettle according to the invention;

FIG. 2 is a top view of the tea kettle;

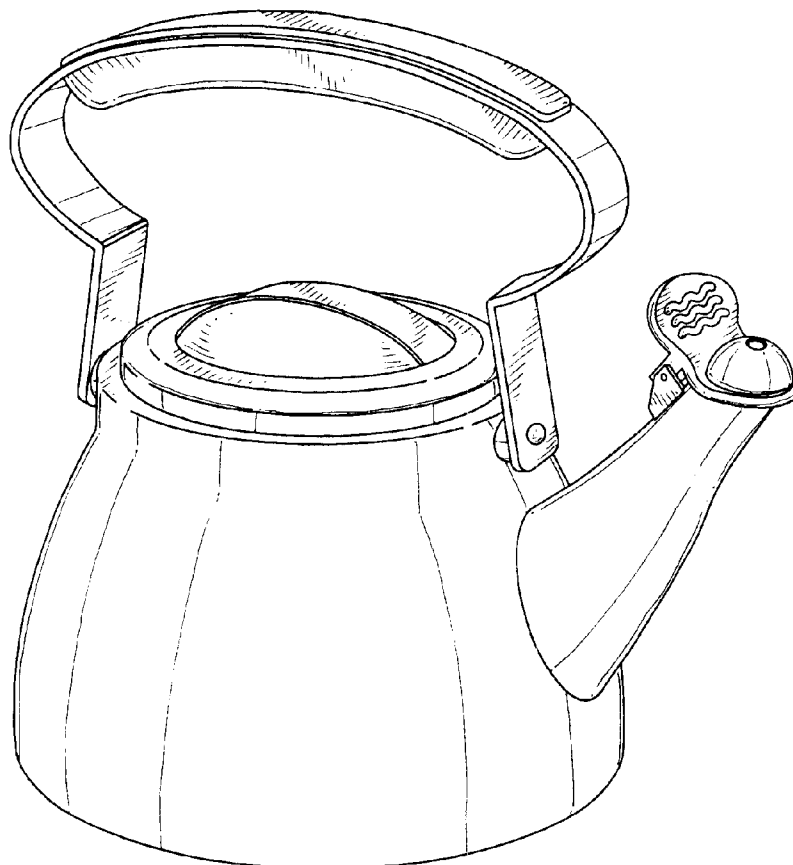
FIG. 3 is a bottom view of the tea kettle;

FIG. 4 is a side view of the tea kettle;

FIG. 5 is a front view of the tea kettle; and,

FIG. 6 is a rear view of the tea kettle.

1 Claim, 5 Drawing Sheets



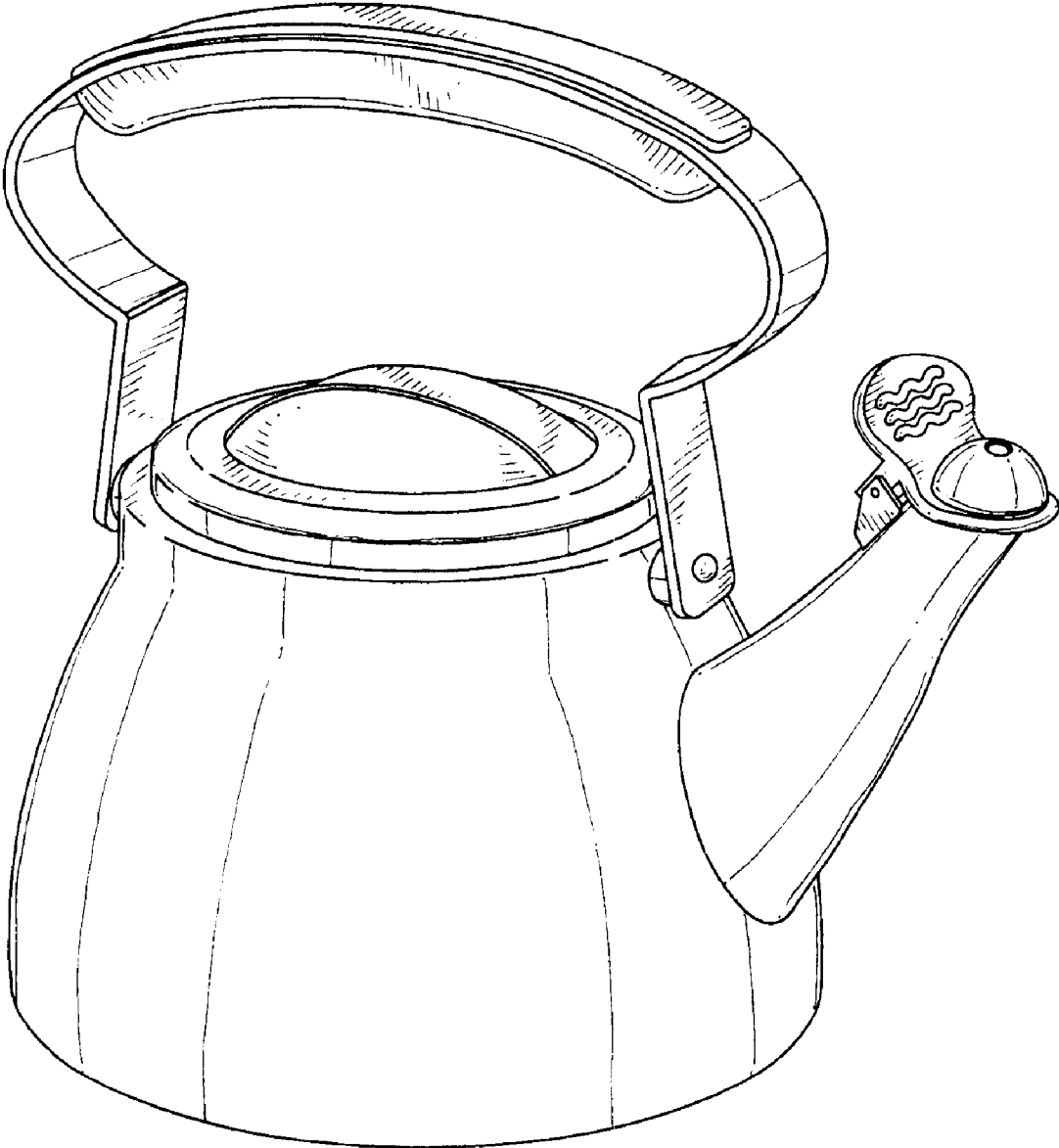


FIG. 1

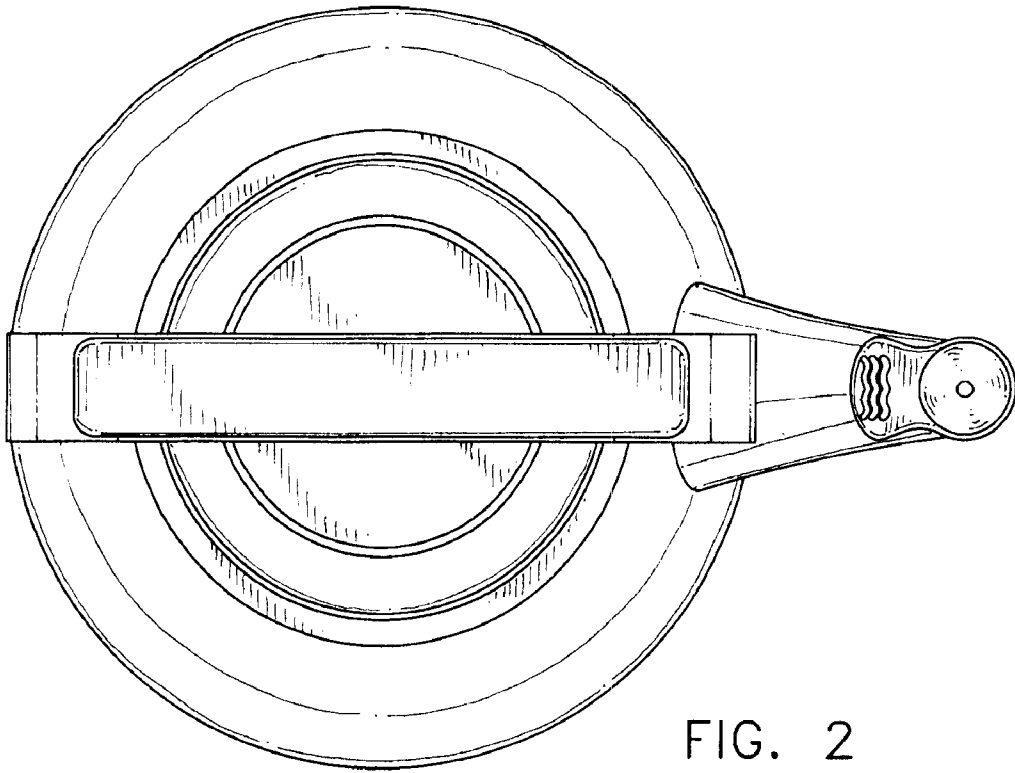


FIG. 2

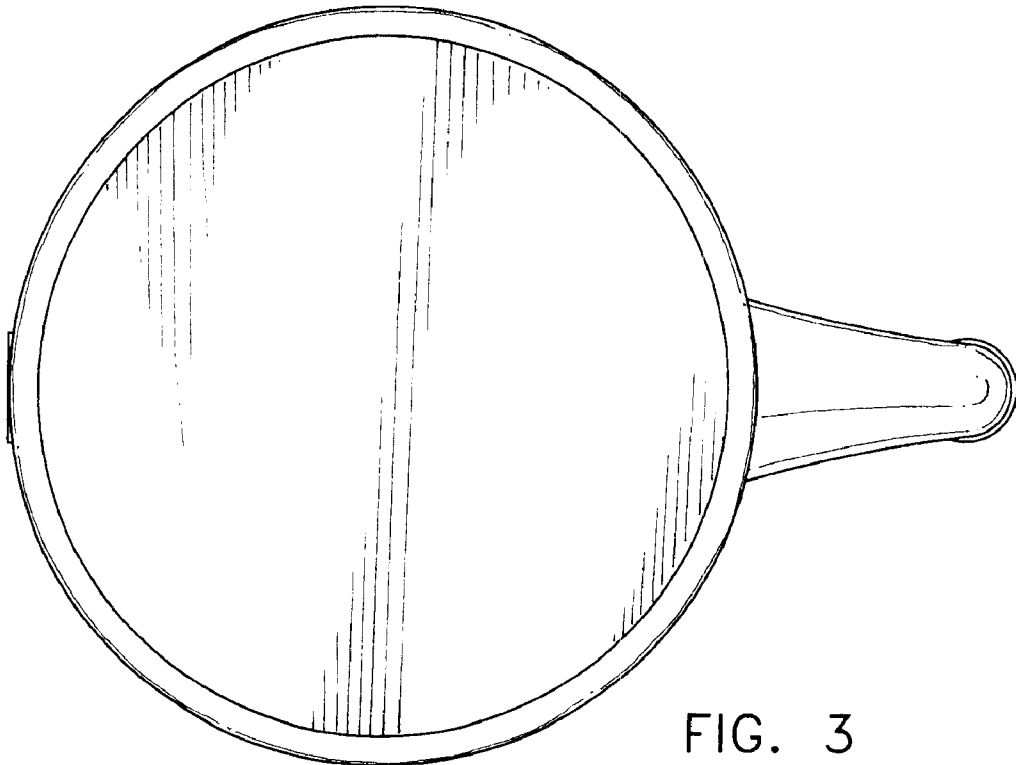


FIG. 3

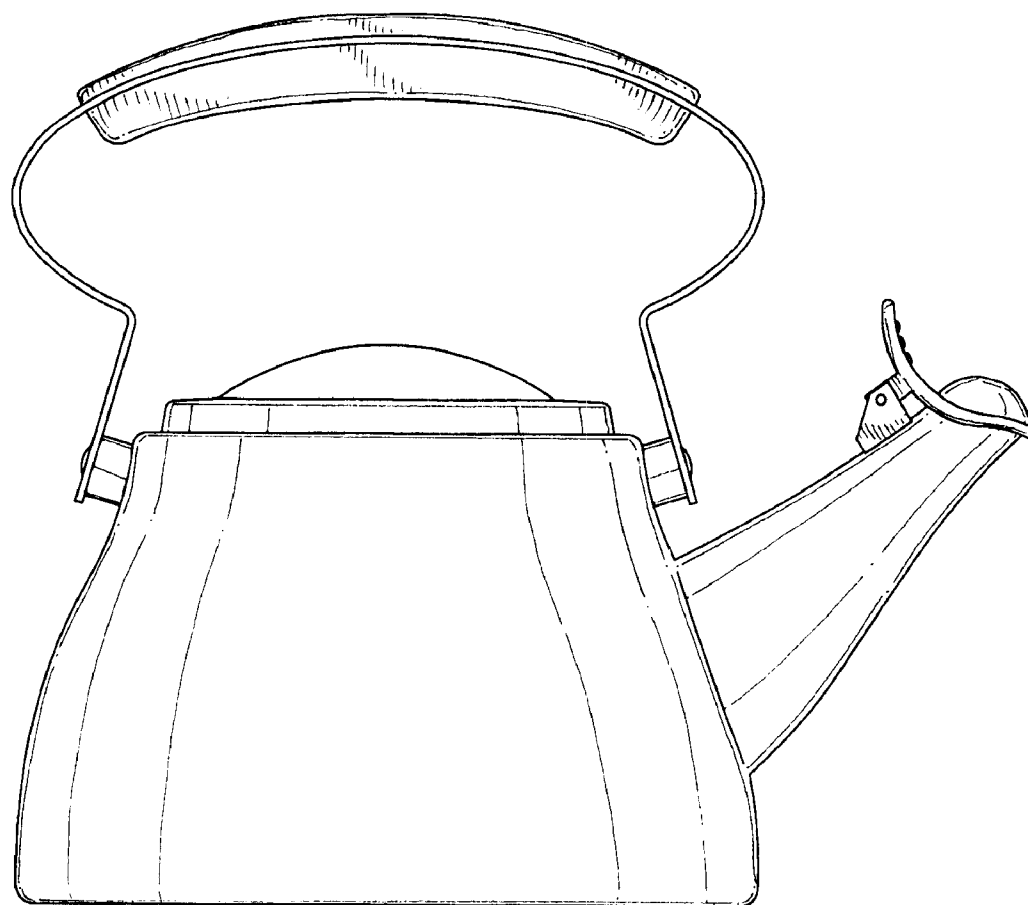


FIG. 4

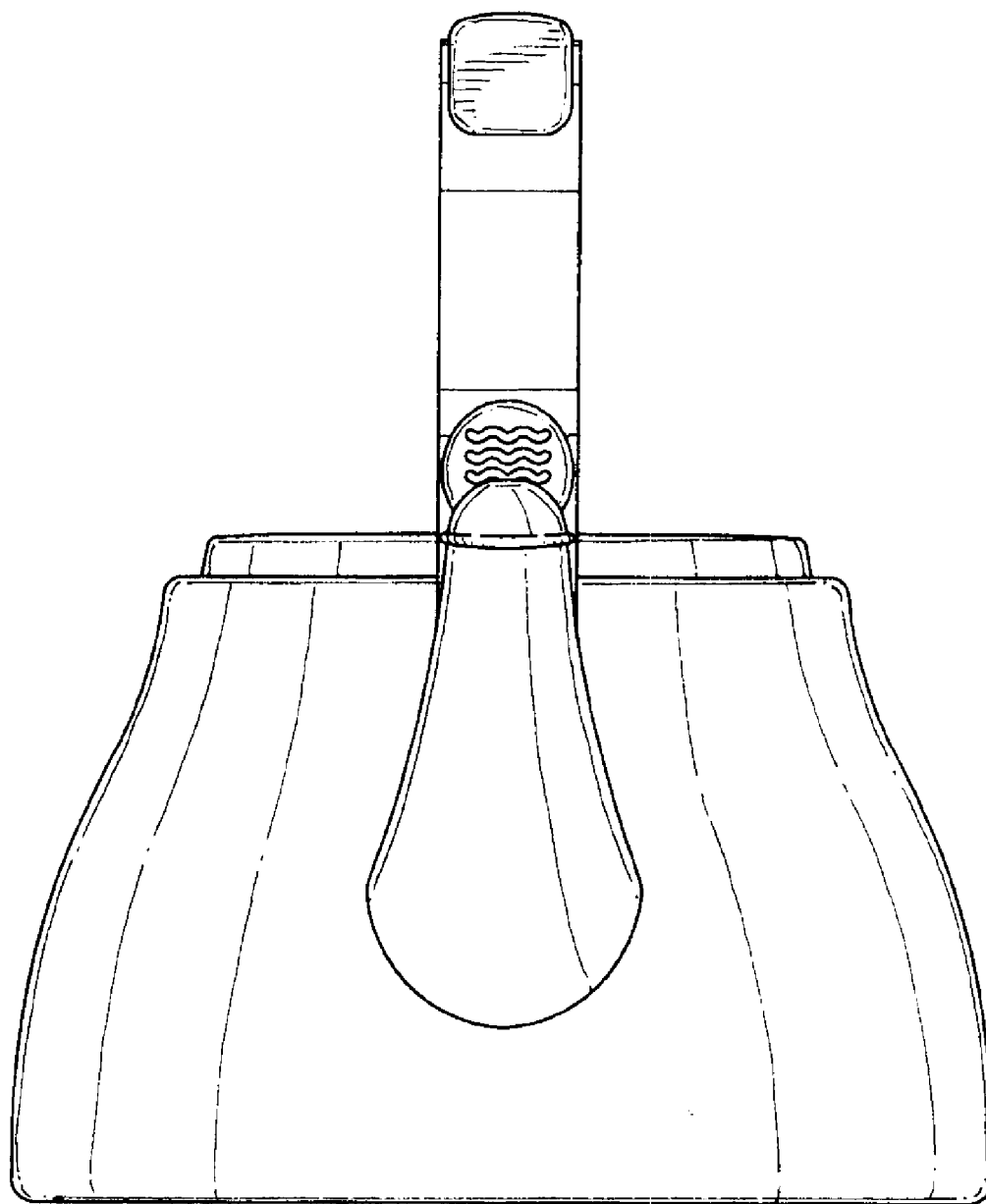


FIG. 5

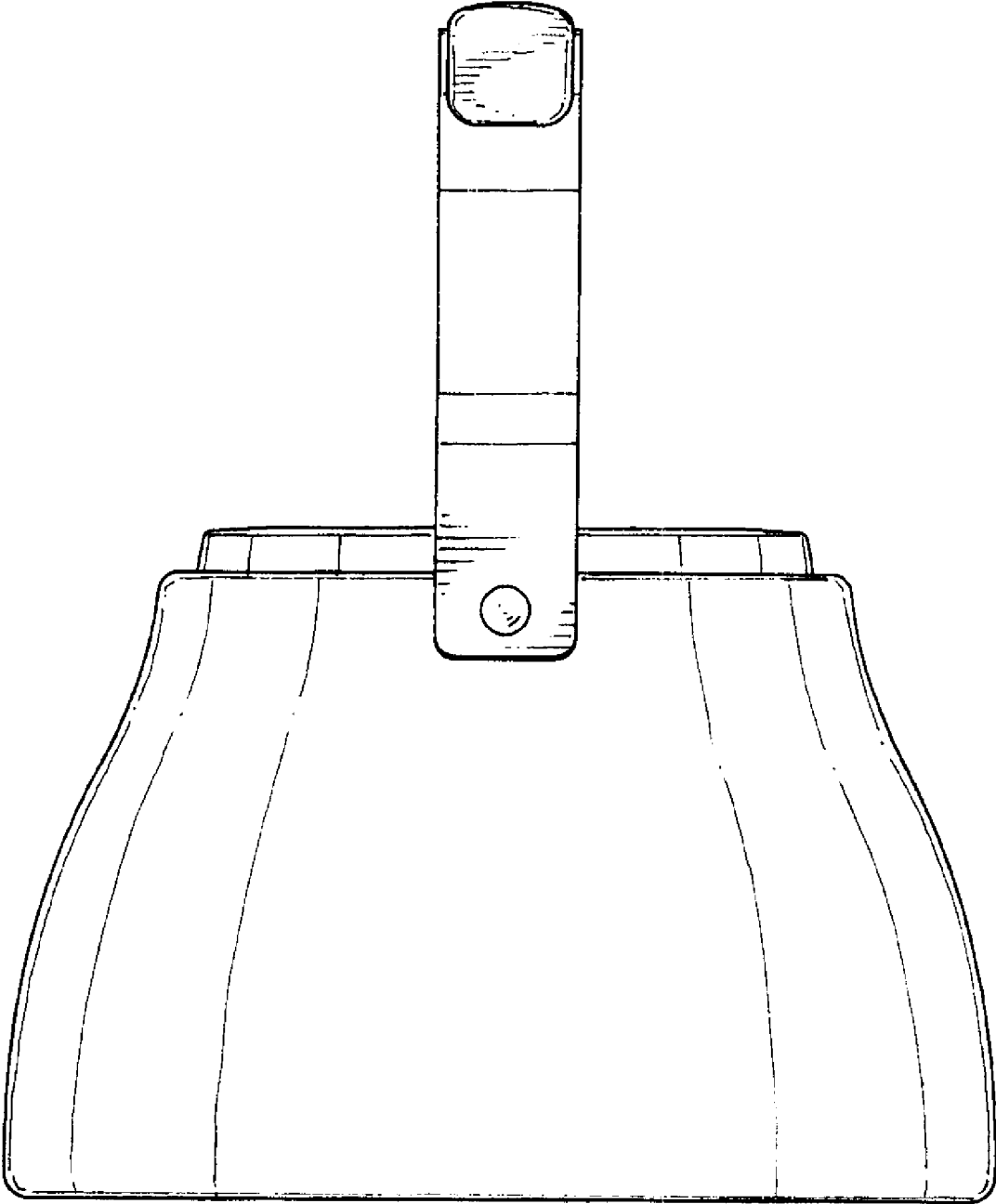


FIG. 6